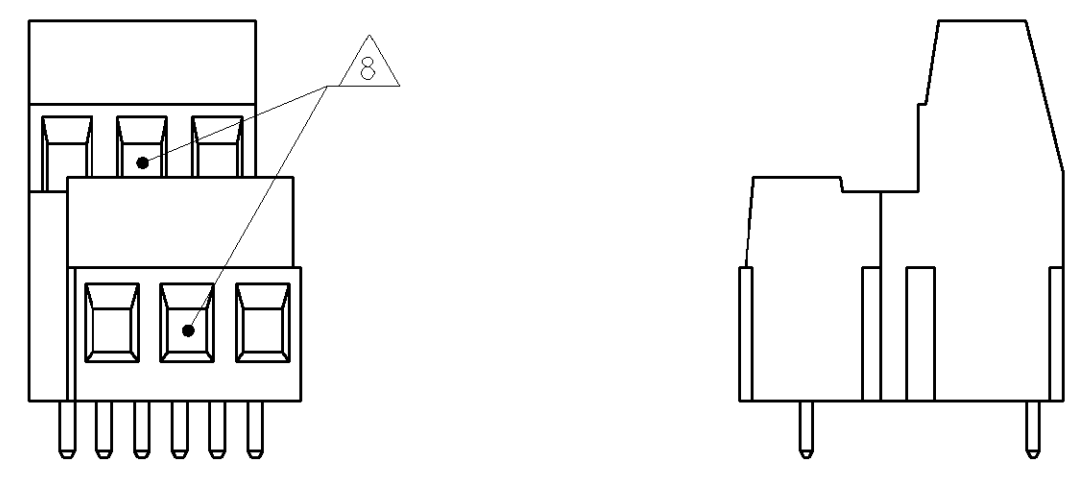
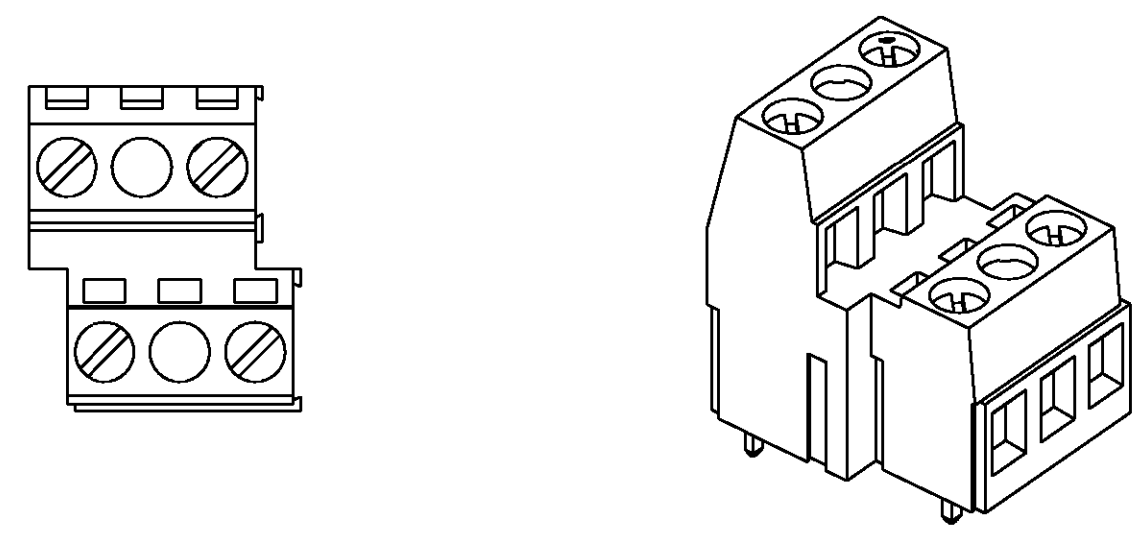
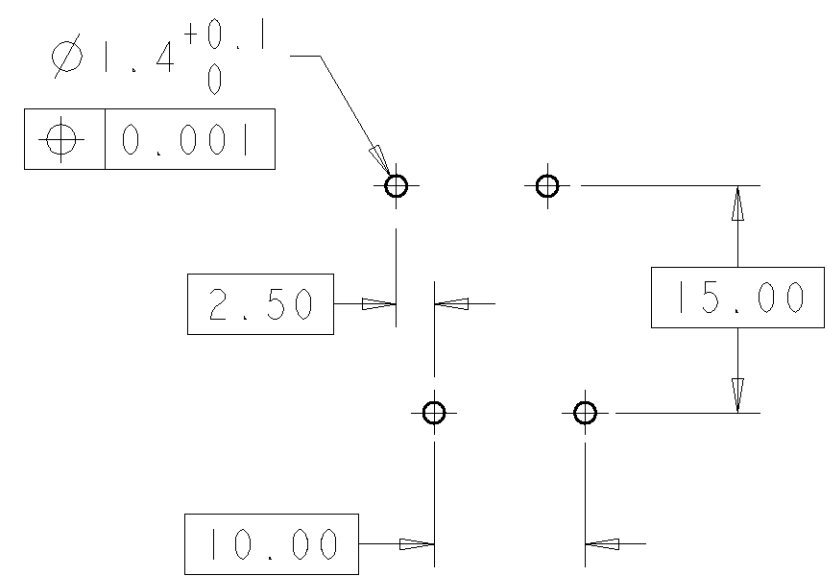


THIS DRAWING IS UNPUBLISHED. RELEASED FOR PUBLICATION 20
 © COPYRIGHT 20 BY TYCO ELECTRONICS CORPORATION. ALL RIGHTS RESERVED.



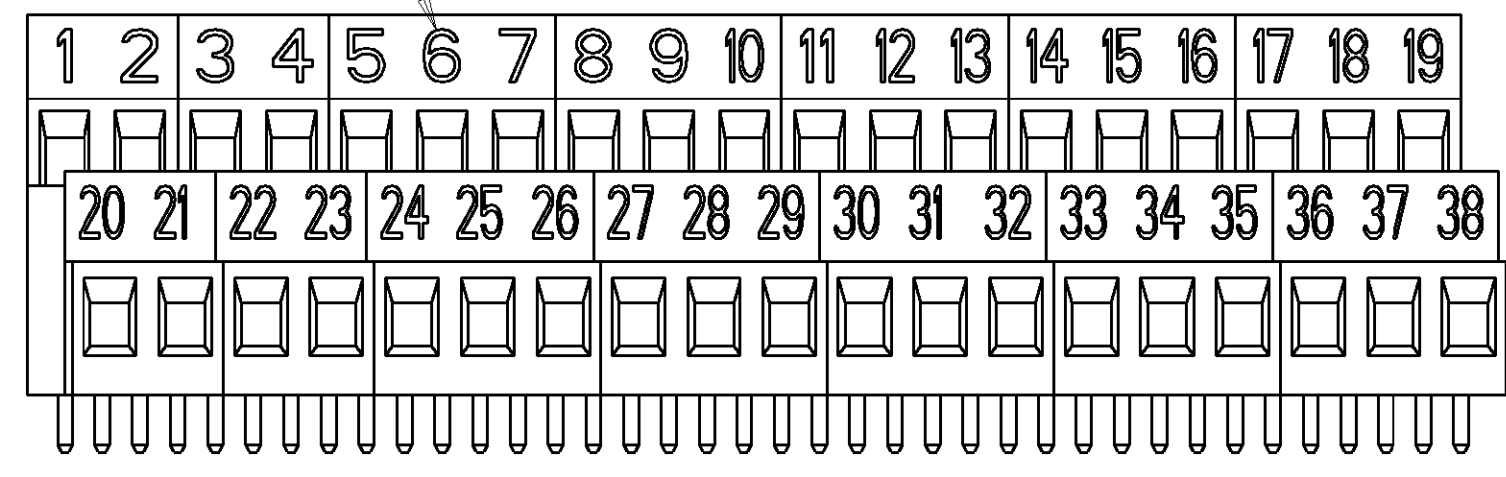
282888-6 AS SHOWN



RECOMMENDED PC BOARD LAYOUT

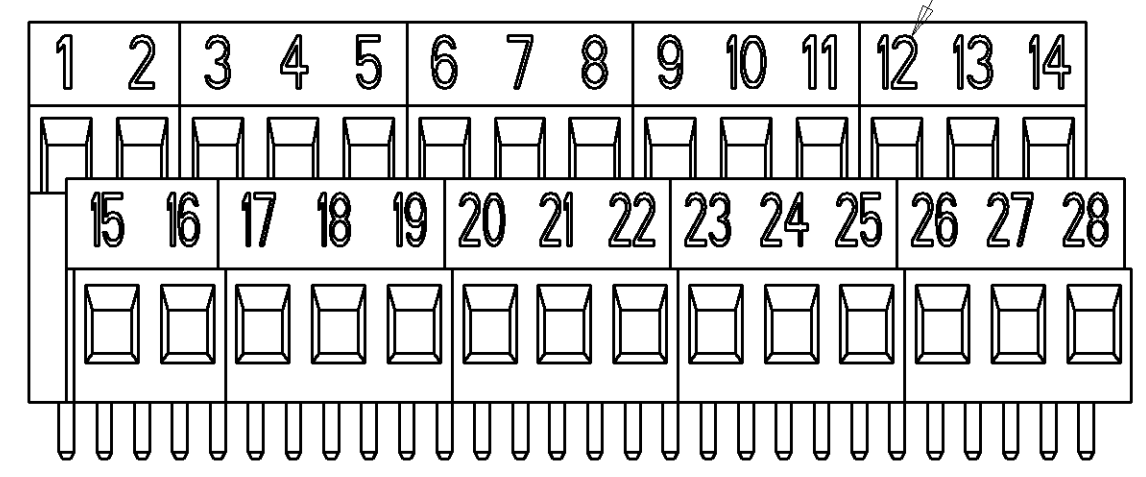
LOC	DIST	REVISIONS			
P	LTR	DESCRIPTION	DATE	DWN	APVD
FT	0				
-	-	SEE SHEET 1	-	-	-

CAVITY ID INK MARKED WHITE

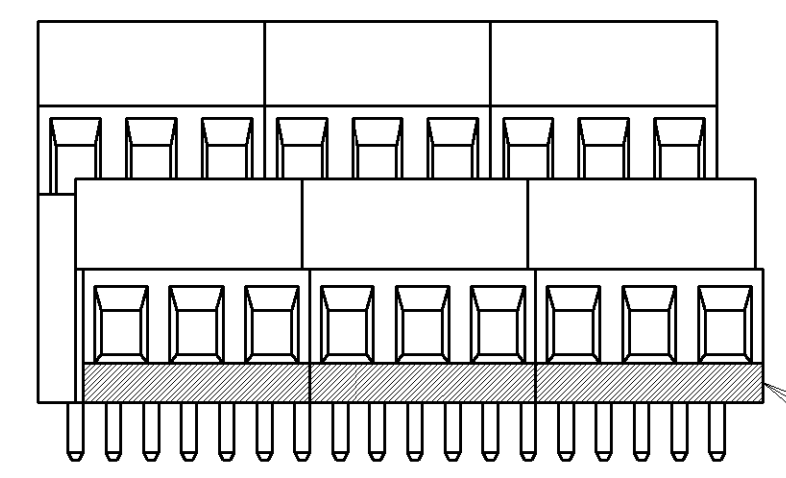


282888-4 AS SHOWN

CAVITY ID INK MARKED WHITE



282888-5 AS SHOWN



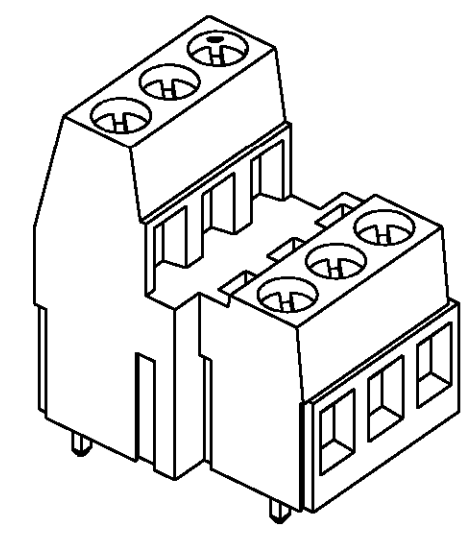
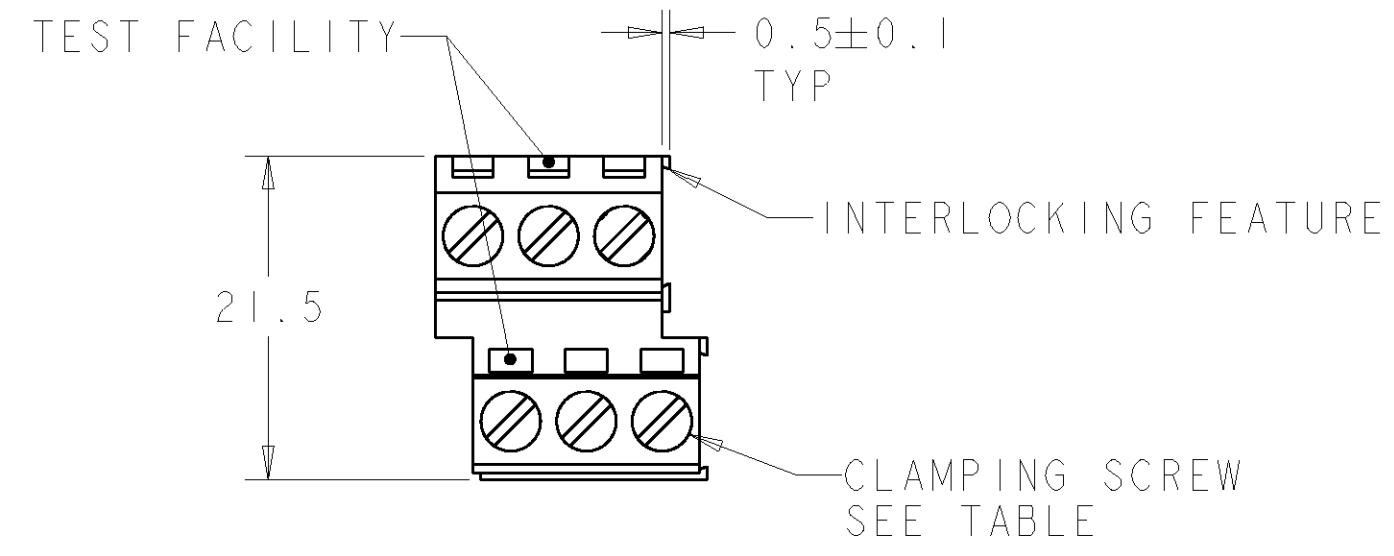
LINE INK MARKED WHITE

282888-9 AS SHOWN

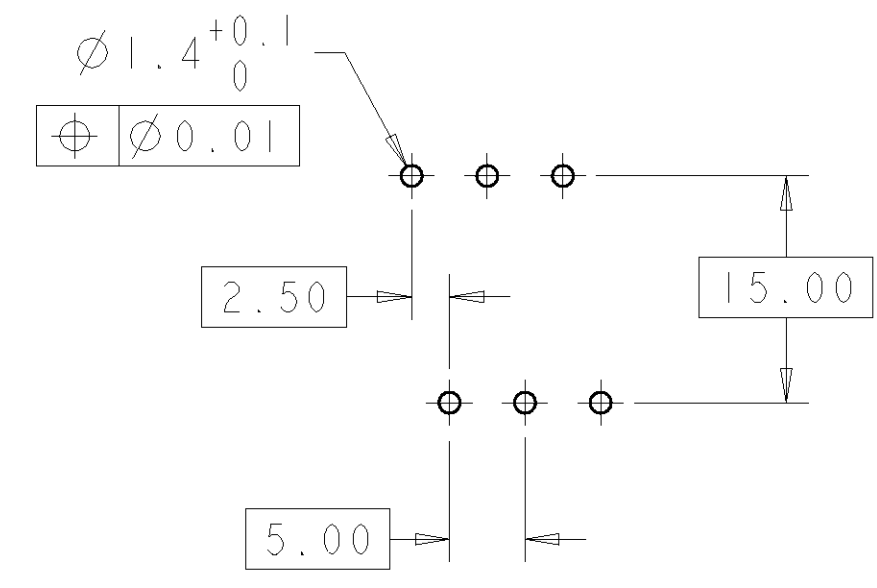
<small>THIS DRAWING IS A CONTROLLED DOCUMENT FOR TYCO ELECTRONICS CORPORATION IT IS SUBJECT TO CHANGE AND THE CONTROLLING ENGINEERING ORGANIZATION SHOULD BE CONTACTED FOR THE LATEST REVISION.</small>		DWN S. WELDON 01NOV2000 CHK D. BIEVENOUR 01NOV2000 APVD D. BIEVENOUR 01NOV2000	BUCHANAN Tyco Electronics Harrisburg, PA 17105-3608
DIMENSIONS: mm	TOLERANCES UNLESS OTHERWISE SPECIFIED: 0 PLC ±.3 1 PLC ±.3 2 PLC ±.25 3 PLC ±.3 4 PLC ±.3 ANGLES ±2 FINISH -	PRODUCT SPEC - APPLICATION SPEC - WEIGHT -	NAME TERMINAL BLOCK, PCB MOUNT 1ST AND 2ND LEVEL, STACKING W/INTERLOCK, 5.00mm PITCH
MATERIAL -		CUSTOMER DRAWING	SIZE A2 CAGE CODE 00779 DRAWING NO. 282888 RESTRICTED TO - SCALE 2:1 SHEET 2 OF 3 REV G

THIS DRAWING IS UNPUBLISHED. RELEASED FOR PUBLICATION 20
 © COPYRIGHT 20 BY TYCO ELECTRONICS CORPORATION. ALL RIGHTS RESERVED.

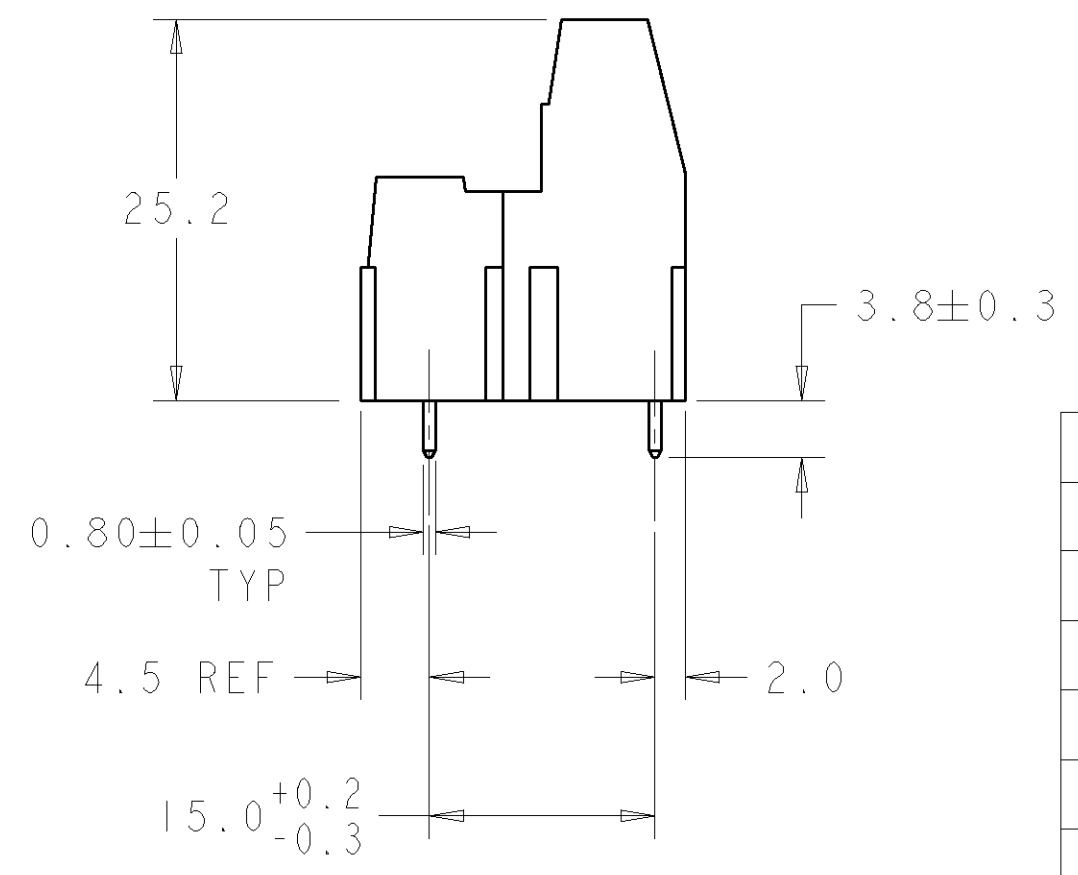
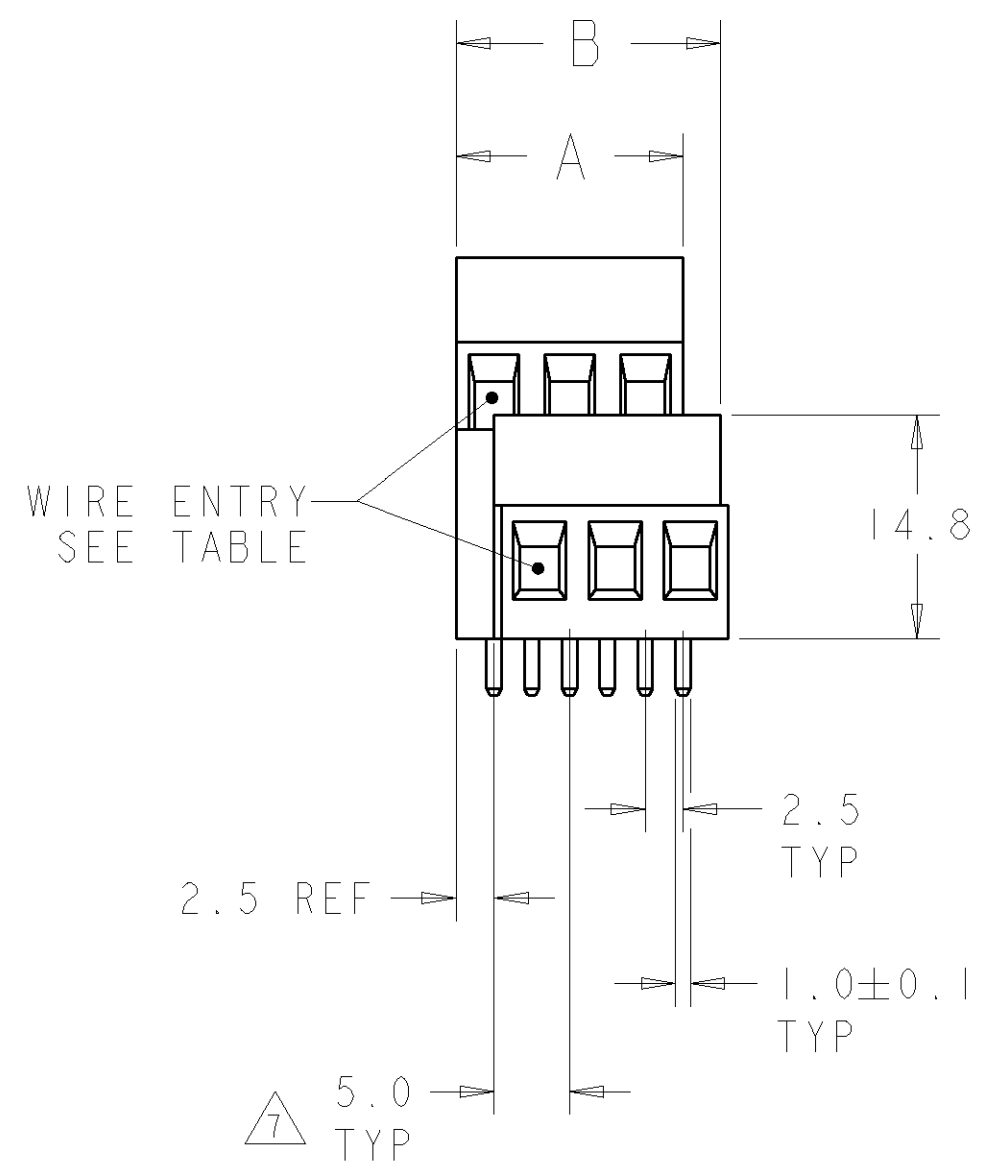
LOC	DIST	REVISIONS			
P	LTR	DESCRIPTION	DATE	DWN	APVD
FT	0	G	REVISED EC 0G3B-0137-04	22MAR2004	SW CR



282888-3 AS SHOWN



RECOMMENDED PC BOARD LAYOUT



-	-	-	52.5	50.0	10	1-282888-1
-	-	-	42.5	45.0	9	1-282888-0
-	SEE SHT 2	-	47.5	45.0	9	282888-9
-	-	13	17.5	15.0	3	282888-8
-	-	13	47.5	45.0	9	282888-7
SEE SHT 2	-	-	17.5	15.0	3	282888-6
-	SEE SHT 2	-	72.5	70.0	14	282888-5
-	SEE SHT 2	-	97.5	95.0	19	282888-4
-	-	-	17.5	15.0	3	282888-3
-	-	-	12.5	10.0	2	282888-2
WIRE ENTRY	MARKING	CLAMPING SCREWS	B	A	NO. OF POSN	PART NUMBER

THIS DRAWING IS A CONTROLLED DOCUMENT FOR TYCO ELECTRONICS CORPORATION IT IS SUBJECT TO CHANGE AND THE CONTROLLING ENGINEERING ORGANIZATION SHOULD BE CONTACTED FOR THE LATEST REVISION.		DWN S. WELDON 01NOV2000 CHK D. BIEVENOUR 01NOV2000 APVD D. BIEVENOUR 01NOV2000	BUCHANAN Tyco Electronics Harrisburg, PA 17105-3608
DIMENSIONS: mm	TOLERANCES UNLESS OTHERWISE SPECIFIED: 0 PLC ±.3 1 PLC ±.3 2 PLC ±.25 3 PLC ±.25 4 PLC ±. ANGLES ±2 FINISH	PRODUCT SPEC - APPLICATION SPEC - WEIGHT -	NAME TERMINAL BLOCK, PCB MOUNT 1ST AND 2ND LEVEL, STACKING W/INTERLOCK, 5.00mm PITCH
MATERIAL		CUSTOMER DRAWING	SIZE A2 CAGE CODE 00779 DRAWING NO. 282888 RESTRICTED TO - SCALE 2:1 SHEET 1 OF 3 REV G

THIS DRAWING IS UNPUBLISHED. RELEASED FOR PUBLICATION 20
 © COPYRIGHT 20 BY TYCO ELECTRONICS CORPORATION. ALL RIGHTS RESERVED.

LOC	DIST	REVISIONS			
P	LTR	DESCRIPTION	DATE	DWN	APVD
FT	0	-	SEE SHEET 1	-	-

- 1. MATERIALS AND FINISH
 HOUSING: PA 6-6, UL 94-V0.
 COLOR: GREEN.
 CLAMP: BRASS, NICKEL PLATED.
 TERMINAL: BRASS, TIN PLATED.
 CLAMPING SCREW: M3, BRASS, NICKEL PLATED.
- 2. SUITABLE FOR 1,6-2,4mm PC BOARD THICKNESS.
- 3. END-TO-END STACKABLE W/INTERLOCK WITHOUT LOSS OF CENTERLINE SPACING.
- 4. WIRE SIZE RANGE
 12-30 AWG
- 5. RECOGNIZED UNDER THE COMPONENT PROGRAM OF UNDERWRITERS LABORATORIES INC., FILE N° E60677.
- 6. IMQ CERTIFICATE WITH SURVEILLANCE IN CONFORMITY WITH IEC 998-1/998-2-1.
- 7. NOT CUMULATIVE TOLERANCE.
- 8. BLOCKED CAVITY, COLOR: RED.
- 9. 282888-4 OBTAINED BY ASSEMBLING (5) 282888-3 AND (2) 282888-2 END TO END.
- 10. 282888-5 OBTAINED BY ASSEMBLING (4) 282888-3 AND (1) 282888-2 END TO END.
- 11. 282888-7 OBTAINED BY ASSEMBLING AND GLUING TOGETHER (3) 282888-3 END TO END.
- 12. INK MARKING, COLOR: WHITE.
- 13. CLAMPING SCREWS IN TORQUED DOWN POSITION.

<small>THIS DRAWING IS A CONTROLLED DOCUMENT FOR TYCO ELECTRONICS CORPORATION IT IS SUBJECT TO CHANGE AND THE CONTROLLING ENGINEERING ORGANIZATION SHOULD BE CONTACTED FOR THE LATEST REVISION.</small>		DWN S. WELDON 01NOV2000 CHK D. BIEVENOUR 01NOV2000 APVD D. BIEVENOUR 01NOV2000	BUCHANAN Tyco Electronics Harrisburg, PA 17105-3608
DIMENSIONS: mm	TOLERANCES UNLESS OTHERWISE SPECIFIED: 0 PLC ± 1 PLC ±.3 2 PLC ±.25 3 PLC ± 4 PLC ± ANGLES ±2 FINISH -	PRODUCT SPEC - APPLICATION SPEC - WEIGHT -	NAME TERMINAL BLOCK, PCB MOUNT 1ST AND 2ND LEVEL, STACKING W/INTERLOCK, 5.00mm PITCH
MATERIAL -		SIZE A2 CAGE CODE 00779 DRAWING NO. C-282888	RESTRICTED TO -
CUSTOMER DRAWING		SCALE 2:1	SHEET 3 OF 3 REV G